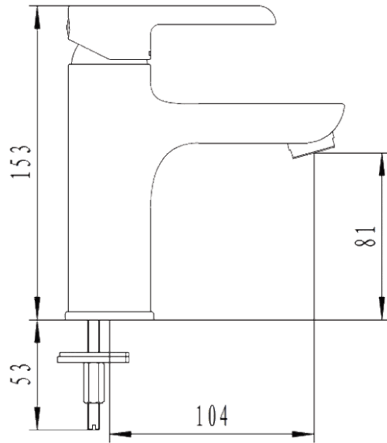


KEA MONO BASIN MIXER



CONSTRUCTION: Brass
CARTRIDGE/VALVE TYPE: Ceramic cartridge
SUPPLY: Suitable for all plumbing systems
INLET CONNECTIONS: 1/2" BSP
WORKING PRESSURES: 0.2 - 5.0 bar
OPERATION: Single lever flow and temperature control

- Slim stream aerator with directional swivel
- Includes 7l/min flow regulator fitted
- Includes clicker waste

KEBCPUK

Open Outlet Flow (Bar - l/min)

BAR	0.3	0.5	1.0	2.0	3.0	4.0	5.0
SPOUT FLOW	4.8	5.6	7.0	7.0	7.0	7.0	7.0

Chrome



1502026



Please Note: Flow rate will be dictated by installation configurations.
 Please ensure to check the appropriate flow restrictor information if applicable.
 *Please refer to website for full warranty details.

FREEPHONE: 0800 195 1602 | FAX ORDERS: 08444 068 690 | EMAIL: SALES@UK.METHVEN.COM

THE INFORMATION ON THIS SPECIFICATION DOCUMENT WAS CORRECT AT THE DATE OF ISSUE. SOME VARIATION MAY OCCUR DUE TO THE MANUFACTURING TOLERANCES AND SITE SPECIFIC CONDITIONS.

methven.com
 11/07/2017 14:11