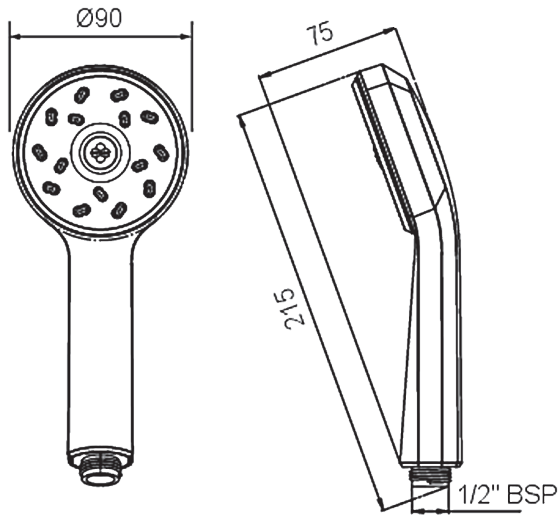


## SATINJET® MAKU HANDSET



**CONSTRUCTION:** ABS  
**CARTRIDGE/VALVE TYPE:** N/A  
**SUPPLY:** Suitable for all plumbing systems  
**INLET CONNECTIONS:** 1/2" BSP  
**WORKING PRESSURES:** 0.35 - 5.0 bar  
**OPERATION:**

- Suitable for all showers
- Ideal for use with electric showers
- Supplied with 9l/min flow regulator
- Single function handset

### MAHPCPUK

#### Open Outlet Flow (Bar - l/min)

BAR	0.3	0.5	1.0	2.0	3.0	4.0	5.0
HANDSET FLOW	6.7	8.0	9.0	9.0	9.0	9.0	9.0

### Chrome & Graphite



1312050



Please Note: Flow rate will be dictated by installation configurations.  
 Please ensure to check the appropriate flow restrictor information if applicable.  
 \*Please refer to website for full warranty details.

**FREEPHONE: 0800 195 1602 | FAX ORDERS: 08444 068 690 | EMAIL: SALES@UK.METHVEN.**

THE INFORMATION ON THIS SPECIFICATION DOCUMENT WAS CORRECT AT THE DATE OF ISSUE. SOME VARIATION MAY OCCUR DUE TO THE MANUFACTURING TOLERANCES AND SITE SPECIFIC CONDITIONS.