



CorePro LEDspot MV

Corepro LEDspot 4.6-50W GU10 827 36D

CorePro LEDspots are a perfect fit for spot lighting and deliver warm halogen-like light. They are compatible with most existing fixtures with a GU10 or E14 holder and are designed as a retrofit replacement for halogen or incandescent spots. LEDlamps deliver huge energy savings and minimize maintenance cost.

Product data

General Information	
Cap base	GU10 [GU10]
EU RoHS compliant	Yes
Nominal lifetime (nom.)	15000 h
Switching cycle	50,000X
Technical type	4.6-50W
Light Technical	
Colour Code	827 [CCT of 2,700 K]
Beam Angle (Nom)	36 °
Luminous flux (nom.)	355 lm
Luminous intensity (nom.)	700 cd
Colour designation	Warm white (WW)
Correlated Colour Temperature (Nom)	2700 K
Luminous efficacy (rated) (nom.)	77.00 lm/W
Colour consistency	<6
Colour rendering index (nom.)	80
LLMF at end of nominal lifetime (nom.)	70 %
Luminous flux in 90° cone (rated)	355 lm
Operating and Electrical	
Input frequency	50 to 60 Hz
Power (Rated) (Nom)	4.6 W

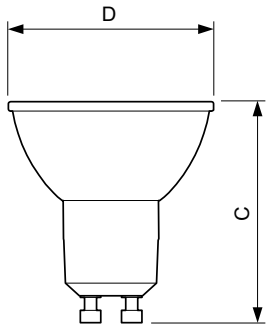
Lamp current (nom.)	39 mA
Wattage equivalent	50 W
Starting time (nom.)	0.5 s
Warm-up time to 60% light (nom.)	0.5 s
Power factor (nom.)	0.5
Voltage (Nom)	220-240 V
Temperature	
T-Case maximum (nom.)	72 °C
Controls and Dimming	
Dimmable	No
Approval and Application	
Energy efficiency label (EEL)	A+
Suitable for accent lighting	Yes
Energy consumption kWh/1,000 hours	5 kWh
Product Data	
Full product code	871869675251700
Order product name	Corepro LEDspot 4.6-50W GU10 827 36D
EAN/UPC – product	8718696752517
Order code	75251700

CorePro LEDspot MV

Numerator – quantity per pack	1
SAP numerator – packs per outer box	10
Material no. (12 NC)	929001215232

Net Weight (Piece)	0.036 kg
--------------------	----------

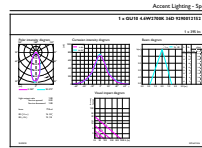
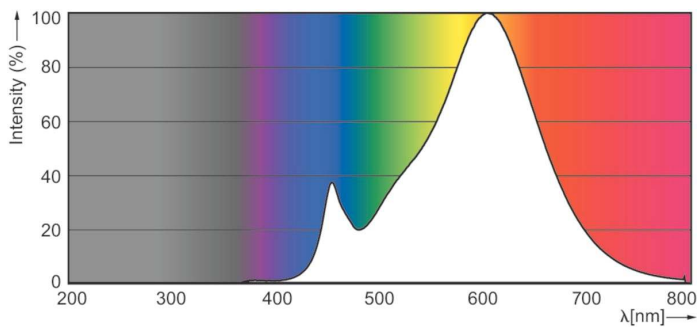
Dimensional drawing



Product	D	C
Corepro LEDspot 4.6-50W GU10 827 36D	50 mm	54 mm

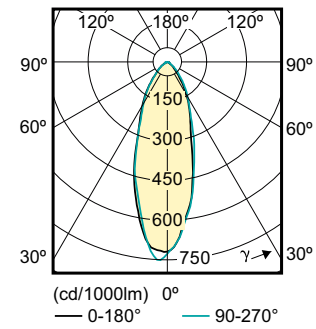
LEDClassic 50W GU10 WW 230V 36D ND 1BC/6

Photometric data



LEDspotMV GU10 MR16 827

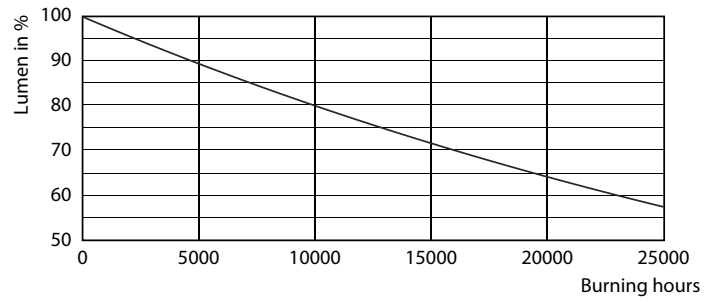
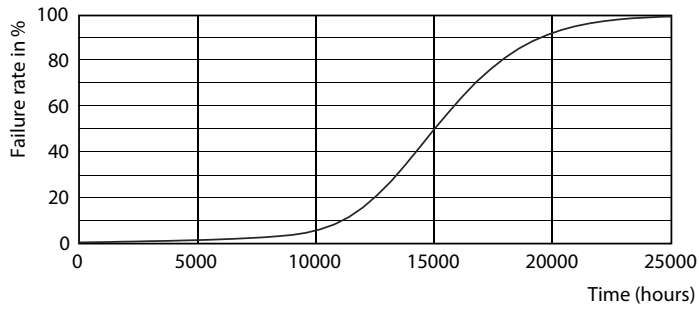
LED Lamps, CorePro LEDspotMV 4.6-50W GU10 PAR16 827 355lm 36D



LED Lamps, CorePro LEDspotMV 4.6-50W GU10 PAR16 827 355lm 36D

CorePro LEDspot MV

Lifetime



CLA LEDspotMV 50W GU10 827 36D ND

CLA LEDspotMV 50W GU10 827 36D ND

